



Bourdon Tube Pressure Gauges

ABS Plastic or Painted Steel Case

Copper Alloy Wetted Parts

Lower Mount Standard Series Type 111.10

Pressure Gauges

Application

Fluid medium which does not clog connection port or corrode copper alloy. Example: hydraulic and pneumatic systems, pumps, compressors, water systems, regulators.

Sizes (All sizes not stocked)

1½", 2", 2½" and 4" (40, 50, 63, and 100 mm)

Accuracy

± 3/2/3% of span (ASME B40.1 Grade B)

Ranges (All ranges not stocked)

Vacuum/Compound to 30"Hg / 0/ 200psi

Pressure from 15psi to 6000psi

or other equivalent units of pressure or vacuum

Receiver scales 3...15psi

Working Range

Steady: 3/4 of full scale value

Fluctuating: 2/3 of full scale value

Short time: full scale value

Operating Temperature

Ambient: -40°F to 140°F (-40°C to 60°C)

Media: max. 140°F (+60°C)

Temperature Error

Additional error when temperature changes from reference temperature of 68°F (20°C) ±0.4% for every 18°F (10°C) rising or falling. Percentage of span.

Standard Features

Connection

Lower mount (LM)

1/8" or 1/4" NPT limited to wrench flat area

Bourdon Tube

Material: copper alloy

30"Hg (Vac) to 600 psi C-type

800psi to 6000 psi helical type

Movement

Copper alloy

Dial

White plastic with stop pin (1½", 2", 2½")

White aluminum with stop pin (4")

Black or black and red lettering

Pointer

Black ABS plastic (1½", 2", 2½", 4" LM)

(2 and 2½" LM - black aluminum); non-adjustable

Case

Black ABS plastic

Standard Scales

1½" psi, psi/kg/cm²

2" psi, psi/kpa, psi/kg/cm²

2½" psi, psi/kpa, psi/kg/cm² 0/100% of linear, 0/10 sq. rt.

4" psi, psi/kpa, psi/kg/cm² 0/100% of linear, 0/10 sq. rt.



Bezel

None (1½", 2", 2½", & 4")

Window

Snap-in acrylic (1½", 2", 2½", & 4")

Order Options (min. order may apply)

Brass threaded or press fit restrictor¹

Accuracy ± 2/1/2% of span (ASME B40.1 Grade A)

Slip-fit or friction ring

Case with blow-out plug

Glass window

Black painted steel case

Stainless steel case

Brass polished case and friction ring (2½" only)

Special case colors

Special connections (limited to wrench flat area)

Cleaned for oxygen service

Nickel plated connection

Medical specification

Rubber cover (2", 2½")

Custom dial layout

Other pressure scales available:

Bar, kPa, MPa, kg/cm² and dual scales

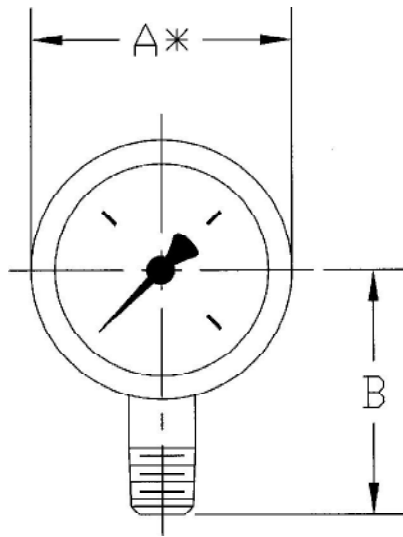
DIN standards

Red set pointer on aluminum dial or on snap-on window

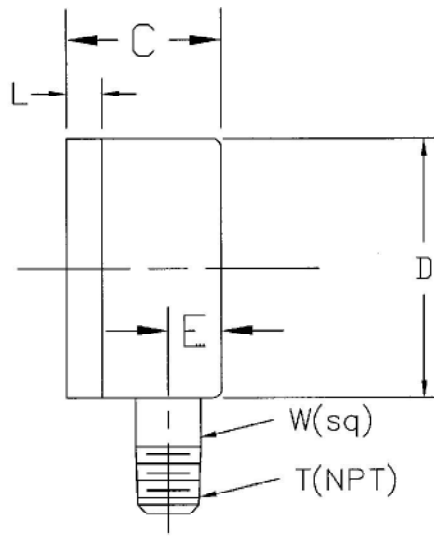
Externally adjustable red drag pointer (2½" only) (max. hand)

Note: ¹Press-fit brass restrictor standard for 111.10B, 1000psi to 6000psi

APM111.10
(APM01.01)



111.10 LM



111.10 LM

A* Nominal Size

TYPE/SIZE	WEIGHT	KEY	A	B	C	D	E	L	T	W
111.10 1.5" LM	0.16 lbs.	mm	40	36	23	41	8	-	1/8" NPT	12
		in	1.57	1.42	0.91	1.61	0.31	-		0.47
111.10 2" LM	0.22 lbs.	mm	50	45	27	49	10	-	1/8" or 1/4" NPT	14
		in	1.97	1.77	1.06	1.93	.039	-		0.55
111.10 2.5"	0.29 lbs.	mm	63	53.5	28	61.5	10	-	1/8" or 1/4" NPT	14
		in	2.48	2.11	1.1	2.42	0.39	-		0.55
111.10 2.5" with polished brass case option	0.29 lbs.	mm	63	52	27	61.5	9.5	10	1/4" NPT	14
		in.	2.5	2.05	1.06	2.42	.37	.39		0.55
111.10 4"	0.46 lbs.	mm	100	83.5	30	99	11.5	-	1/8" or 1/4" NPT	14
		in	3.94	3.29	1.18	3.9	0.45	-		0.55

THE MEASURE OF
Total Performance™

Ordering Information:

State computer part number (if available) / type number / size / range / connection size and location / options required.

Specifications given in this price list represent the state of engineering at the time of printing. Modifications may take place and the specified materials may change without prior notice



www.wika.ws

Distributed By **FLW** Inc,

(800) 576-6308