



# Bourdon Tube Pressure Gauges

ABS Plastic or Painted Steel Case

Copper Alloy Wetted Parts

Center Back Mount Standard

Series Type 111.12

## Pressure Gauges

### Application

Fluid medium which does not clog connection port or corrode copper alloy. Example: hydraulic and pneumatic systems, pumps, compressors, water systems, regulators.

### Sizes (All sizes not stocked)

1½", 2", 2½" and 4" (40, 50, 63 and 100 mm)  
3½" (94mm) with u-clamp only

### Accuracy

± 3/2/3% of span (ASME B40.1 Grade B)

### Ranges (All ranges not stocked)

Vacuum/Compound to 30" HG/0/200 psi  
Pressure from 15 psi to 6000 psi  
(max. 600 psi for 3½" size) or other equivalent of pressure or vacuum  
Receiver scales 3...15psi

### Working Range

Steady: 3/4 of full scale value  
Fluctuating: 2/3 of full scale value  
Short time: full scale value

### Operating Temperature

Ambient: -40°F to 140°F (-40°C to 60°C)  
Media: max. 140°F (+60°C)

### Temperature Error

Additional error when temperature changes from reference temperature of 68°F (20°C) ±0.4% for every 18°F (10°C) rising or falling. Percentage of span.

## Standard Features

### Connection

Material: copper alloy  
Center back mount (CBM)  
1/8" or 1/4" NPT

### Bourdon Tube

Material: copper alloy  
30" Hg (Vac) to 600 psi C-type  
800 psi to 6000 psi helical type

### Movement

Copper alloy

### Dial

White plastic with stop pin (1½", 2" & 2½")  
White aluminum with stop pin (3½", 4")  
Black or black and red lettering

### Pointer

Black ABS plastic  
(3½" black aluminum) non-adjustable

### Case

Black ABS plastic (1½", 2" & 2½")  
Black painted steel (3½" & 4")

### Standard Scales

1½" psi, psi/kg/cm<sup>2</sup>  
2" psi, psi/kpa, psi/kg/cm<sup>2</sup>  
2½" psi/kpa, psi/kg/cm<sup>2</sup>, 0/100% of linear, 0/10 sq. rt.  
3½" psi, 0/100% of linear, 0/10 sq. rt.  
4" psi/kpa, psi/kg/cm<sup>2</sup>, 0/100% of linear, 0/10 sq. rt.



### Bezel

None (1½", 2", 2½", & 4")  
Black-painted steel (3½" & 4")

### Window

Snap-in acrylic (2½", & 4")  
Threaded polycarbonate (3½")

### U-clamp Option

1½": steel zinc plated u-clamp brackets with two threaded studs and ss polished profile ring  
2" & 2½": steel zinc plated u-clamp brackets with two threaded studs and steel chrome plated profile ring  
3½": steel zinc plated j-clamps, without ring

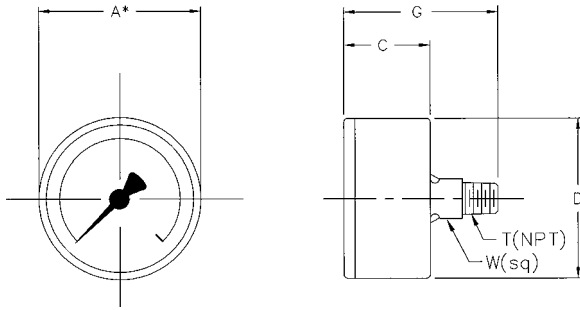
### Order Options (min. order may apply)

Front flange (except for size 3½")  
Accuracy ± 2/1/2% of span (ASME B40.1 Grade A)  
Brass threaded or press fit restrictor  
Plastic adaptor ring for non-metric panel cutout (2", 2½")  
Slip-fit or friction ring (not 3½")  
Case with blow-out plug (3½")  
Glass window (not 3½")  
Black painted steel case  
Stainless steel case (not 3½")  
Special case colors  
Special connections limited to wrench flat area  
Cleaned for oxygen service  
Nickel plated connection  
Medical specification  
Rubber cover (2, 2½")  
Custom dial layout  
Other pressure scales available:  
Bar, kPa, Mpa, Kg/cm<sup>2</sup> and dual scales  
DIN standards  
Red set pointer on aluminum dial or snap-on acrylic window (not 3½")  
Red drag pointer (2½" only) (max. hand)

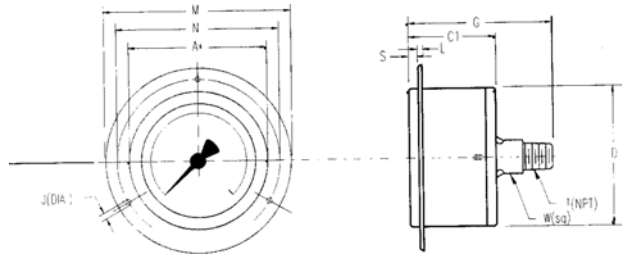
**APM111.12**

(APM01.01)

**Dimensions:**



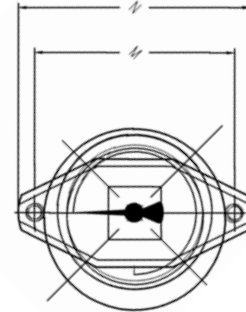
111.12 CBM - standard  
1½", 2", 2½", 4"



111.12 CBM - with U-clamp option

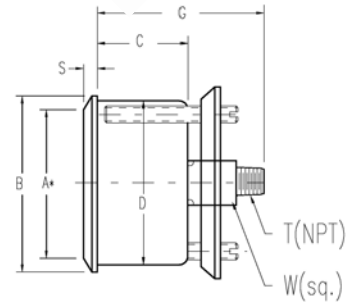
**A\* Nominal Size Standard**

TYPE/SIZE	WEIGHT	KEY	A	C1	D	G (1)	T	W (2)
111.12 1.5"	0.16 lbs.	mm	40	26	41	46.5	1/8" or	14
		in	1.57	1.02	1.61	1.83	1/4" NPT	0.55
111.12 2"	0.22 lbs.	mm	50	26.5	49	47	1/8" or	14
		in	1.97	1.04	1.93	1.87	1/4" NPT	0.55
111.12 2.5"	0.29 lbs.	mm	63	27.5	61.5	48	1/8" or	14
		in	2.48	1.08	2.42	1.89	1/4" NPT	0.55
111.12 4" CBM	0.46 lbs.	mm	100	31	99	49	1/8" or	14
		in	3.94	1.22	3.9	1.93	1/4" NPT	0.55



**With front flange**

	Weight	Key	A*	C1	D	G(1)	J	L	M	N	S	T	W
111.12 2" CBM/FF	0.30 lbs.	mm	50	26.5	55	48	3.6	2	71	60	3.8	1/8" or	14
		in	1.97	1.04	2.17	1.89	0.14	0.08	2.8	2.36	0.15	1/4" NPT	.55
111.12 2.5" CBM/FF	0.40 lbs.	mm	63	27.5	68	52.1	3.6	2	85	75	3.8	1/8" or	14
		in	2.48	1.08	2.68	2.05	0.14	0.08	3.35	2.95	0.15	1/4" NPT	.55



111.12- 3½" only CBM- U-clamp

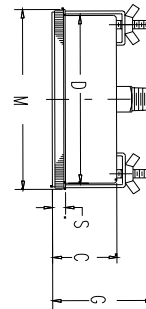
**With U-clamp**

**A\* NOMINAL SIZE**

	WEIGHT	KEY	A*	B	C1	D	G	M	N	T	W
111.12 1.5" CBM/UC	0.27 lbs.	mm	40	44	24	40	45	47	59	1/8" or	14
		in	1.5	1.73	0.95	1.57	1.77	1.85	2.32	1/4" NPT	.55
111.12 2" CBM/UC	0.33 lbs.	mm	50	54	24	49	47	57	70	1/8" or	14
		in	2.0	2.13	0.95	1.93	1.85	2.24	2.76	1/4" NPT	.55
111.12 2½" CBM/UC	0.35 lbs.	mm	63	67	26	62	53	78	91	1/8" or	14
		in	2.5	2.64	1.02	2.44	2.09	3.07	3.58	1/4" NPT	.55
111.12 3½" CBM/UC	0.55 lbs.	mm	80	100	36	93	57	100	--		14
		in	3.5	3.93	1.42	3.66	2.24	3.93	--	1/4" NPT	.55

NOTE: (1) For gauges with 1/8" NPT connections, subtract 0.08 inches (2mm) from G dimension.

Recommended panel cut-out D+ 1MM



THE MEASURE OF  
**Total Performance™**

**Ordering Information:**

State computer part number (if available) / type number / size / range / connection size and location / options required.

Specifications given in this price list represent the state of engineering at the time of printing. Modifications may take place and the specified materials may change without prior notice