



# Bourdon Tube Pressure Gauges

Inspector's Test Gauge  
Stainless Steel Case & Wetted Parts  
Accuracy  $\pm 0.25\%$  or  $\pm 0.5\%$  of Span  
Test Series • Type 332.54

## Pressure Gauges

### Application

Fluid medium which does not clog port or corrode 316 stainless steel. Designed for testing and calibration of other pressure measuring instruments.

### Size

4" (100 mm)

### Accuracy

$\pm 0.25\%$  of span (ASME B40.1 Grade 3A)  
Ranges 0/30" Hg Vac through 0/600 psi  
0.25% of span (ASME B40.1 Grade 3A)  
Ranges 0/2000 psi through 0/20,000 psi  
0.25% of span (ASME B40.1 Grade 3A)  
Note: Not available in ranges 600>2000psi

### Ranges (All ranges not stocked)

Vacuum / Compound to 30"HG / 0 / 200 PSI  
Pressure from 15 PSI to 10,000 PSI  
or other equivalent units of pressure or vacuum

### Working Range

Steady: Full scale value  
Fluctuating: 0.9 x full scale value  
Short time: 1.3 x full scale value

### Operating Temperature

Ambient: -40°F to 140°F (-40°C to 60°C)  
Media: max. 212°F (+100°C)

### Temperature Error

Additional error when temperature changes from reference temperature of 68°F (20°C)  $\pm 0.4\%$  for every 18°F (10°C) rising or falling. Percentage of span.

## Standard Features

### Connection

Material: 316 stainless steel  
Lower mount (LM)  
1/4" or 1/2" NPT

### Bourdon Tube

Material: 316 stainless steel  
30"Hg (Vac) to 1000 PSI C-type  
1500 PSI to 10,000 PSI helical type

### Movement

Stainless steel

### Dial

White aluminum with black lettering and mirrored band.

### Pointer

Black aluminum, micrometer adjustable, with knife edge.

### Case

304 stainless steel with vent plug and polished stainless steel bayonet ring. Welded case to socket connection.

### Weather Protection

Weather resistant (NEMA 4X / IP 54)



### Standard Scale

PSI

### Window Gasket

Buna-N

### Window

Laminated safety glass

### Other

Supplied standard with a zippered nylon carry case

### ORDER OPTIONS (min. order may apply)

Custom dial layout  
316 SS threaded restrictor  
Acrylic window  
Flat glass window  
Special connections limited to wrench flat area  
Other pressure scales available:  
Bar, kPa, Kg/cm<sup>2</sup> and dual scales  
DIN standards  
Cleaned for oxygen service  
Drag pointer



www.wika.ws

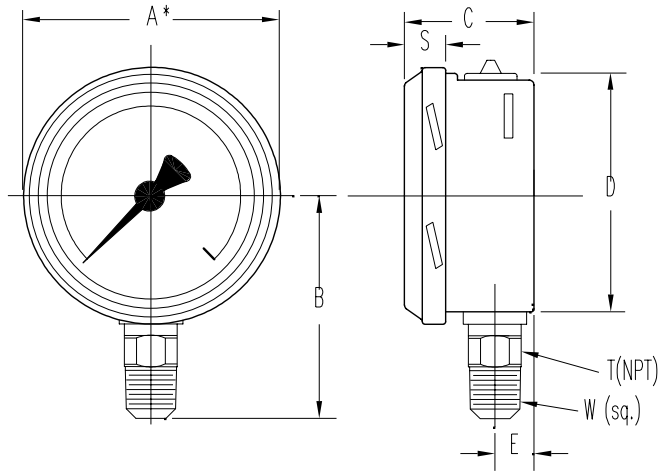
Distributed By FLW Inc.

(800) 576-6308

**APM332.54**

(APM 03.10)

**Dimensions:**



**A\* NOMINAL SIZE**

TYPE/SIZE	WEIGHT	KEY	A*	B	C	D	E	S	T	W
332.54 4"	1.76 lbs.	mm	100	82	49	100	16	15	--	22
		in	4.0	3.23	1.93	3.94	.63	.59	1/4"	.87

NOTE: For gauges with 1/2" NPT connection, add 5mm (0.02 in.) to "B" dimension

**THE MEASURE OF  
Total Performance™**

**Ordering Information:**

State computer part number (if available) / type number / size / range / connection size and location / options required.

Specifications given in this price list represent the state of engineering at the time of printing. Modifications may take place and the specified materials may change without prior notice

www.wika.ws  (800) 576-6308  
Distributed By  ,