



Capsule Pressure Gauges

Turret Style Thermoplastic Case

Low Pressure Process Gauge Series • Type 6X2.34

Pressure Gauges

Application

Industrial type suitable for corrosive environments where the fluid medium does not clog connection or corrode brass, stainless steel, or Monel® wetted parts. Solid front, blow-out back case design meets safety requirements of ASME B40.1.

Size

4½" (115 mm) dial size

Accuracy

± 2/1/2% of span (ASME B40.1 Grade 2A)

Ranges (All ranges not stocked)

4"H₂O to 10 PSI - Type 612.34

6"H₂O to 10 PSI - Type 632.34

10"H₂O to 10 PSI - Type 662.34

or other equivalent units of pressure or vacuum

Working Range

Steady: Full scale value

Fluctuating: 0.9 x full scale value

Operating Temperature

Ambient: -4°F to 140°F (-20°C to 60°C)

Media: max. 212°F (+100°C)

Temperature Error

Additional error when temperature changes from reference temperature of 68°F (20°C) ±0.4% for every 18°F (10°C) rising or falling. Percentage of span.

Standard Features

Connection

Material: Copper alloy - 612.34

Material: 316 stainless steel - 632.34

Material: Monel® - 662.34

Lower mount (LM)

1/4" NPT or 1/2" NPT

Capsule Element

Material: Copper alloy - 612.34

Material: 316 stainless steel - 632.34

Material: Monel® - 662.34

Movement

Stainless steel

Dial

White aluminum with black lettering

Stop pin at 6 o'clock

Pointer

Adjustable black aluminum

Case

Black glass reinforced thermoplastic (PBTP)

Solid front, blow-out back

Turret style case with built-in rear mounting lugs

Weather Protection

Weather resistant (NEMA 3 / IP 54)



Standard Scale

PSI / in. Hg, in. H₂O / oz/in²

Window Gasket

Buna-N

Window

Acrylic

Order Options (min. order may apply)

10X overpressure or vacuum safety

Threaded restrictor

Panel mounting adaptor kit (field assembled)

Glass window

Safety glass window

Special connections limited to wrench flat area

DIN standards

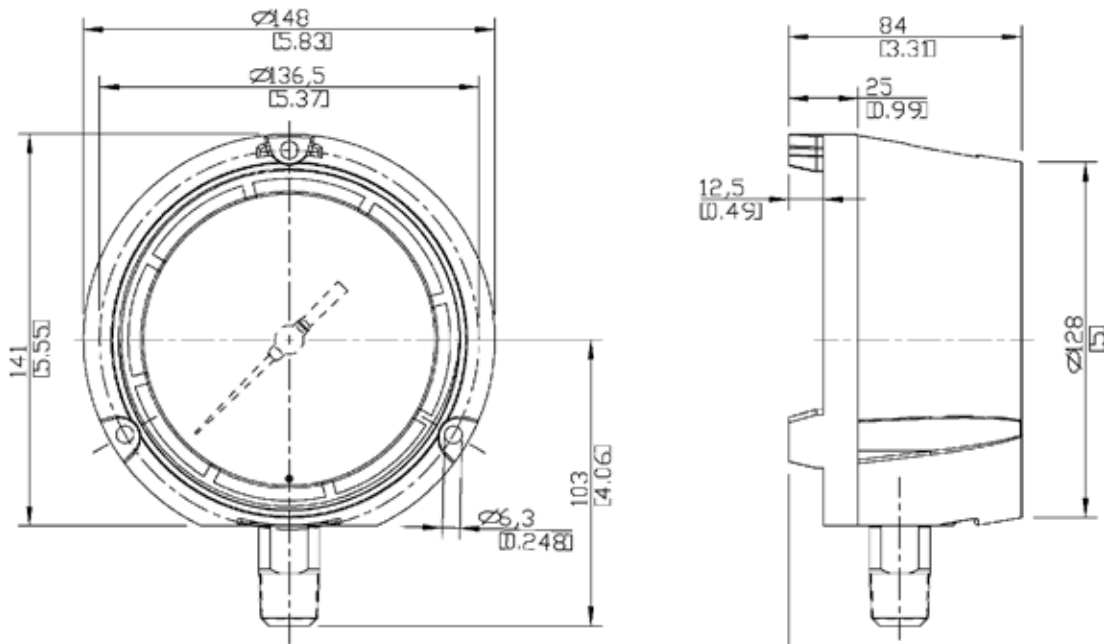
Custom dial layout

APM 6X2.34

(APM 06.10)



Dimensions:



THE MEASURE OF
Total Performance™

Ordering Information:

State computer part number (if available) / type number / size / range / connection size and location / options required.

Specifications given in this price list represent the state of engineering at the time of printing. Modifications may take place and the specified materials may change without prior notice

www.wika.ws



Distributed By **FLW** Inc,

(800) 576-6308