



Bourdon Tube Pressure Gauges

Stainless Steel Case

Copper Alloy Wetted Parts

Accuracy $\pm 0.25\%$ of Span

Test Series • Type 312.20

Pressure Gauges

Application

Pressure gauge for testing and calibration. Fluid medium which does not clog port or corrode copper alloy.

Size

6" (160 mm)

Accuracy

$\pm 0.25\%$ of span (ASME B40.1 Grade 3A)

Ranges (All ranges not stocked)

Vacuum / Compound to 30"HG / 0 / 200 PSI

Pressure from 10 PSI to 10,000 PSI

or other equivalent units of pressure or vacuum

Calibrating Medium

≤ 400 PSI: gas

> 400 PSI: oil (some liquid may remain in pressure system)

Working Range

Steady: Full scale value

Fluctuating: 0.9 x full scale value

Short time: 1.3 x full scale value

Operating Temperature

Ambient: -40°F to 140°F (-40°C to 60°C)

Media: max. 140°F ($+60^{\circ}\text{C}$)

Temperature Error

Additional error when temperature changes from reference temperature of 68°F (20°C) $\pm 0.4\%$ for every 18°F (10°C) rising or falling. Percentage of span.

Standard Features

Connection

Lower mount (LM)

Lower back mount (LBM)

Material: copper alloy ($\geq 15,000$ PSI stainless steel)

$1/4$ " NPT or $1/2$ " NPT

Bourdon Tube

< 1500 PSI: Copper alloy, C-type, soft soldered

≥ 1500 PSI: 316 stainless steel, helical type, brazed

Movement

Copper alloy with Argentan wearable parts

Dial

White aluminum with black lettering and mirrored band

Pointer

Adjustable knife-edge, black aluminum

Case

304 stainless steel with stainless steel bayonet ring.

Buna-N blow-out plug

Weather Protection

Weather resistant (NEMA 3 / IP 54)

Standard Scale

PSI, PSI/KG/CM²



Window Gasket

Buna-N

Window

Laminated safety glass

Order Options (min order may apply)

Media temperature to 212°F (100°C) with special soft solder

Front or rear flange

Brass threaded restrictor

Certificate of Calibration to National Institute of Standard Technology (NIST)

U-Clamp

DIN standards

Solid front, blow-out back case (3X2.30)

Liquid-filled case (3X3.20)

Special connections limited to wrench flat area

Cleaned for oxygen service

Custom dial layout

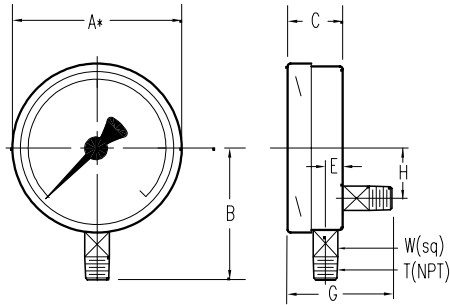
Other pressure scales available:

Bar, kPa, Kg/cm² and dual scales

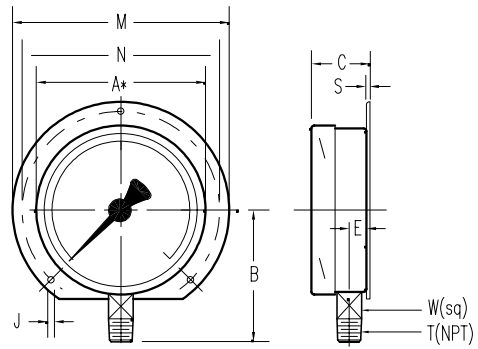
Alarm contact switches magnetic and inductive Transmitters



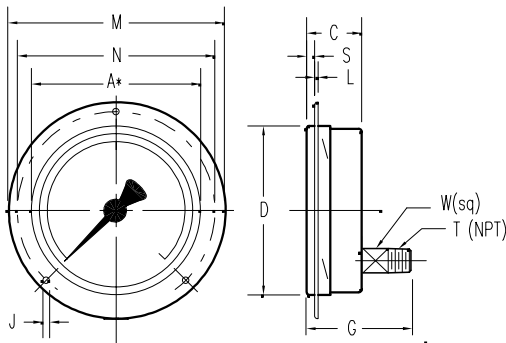
Dimensions:



LM / LBM



LM / Rear Flange



LBM / Front Flange

A* NOMINAL SIZE

TYPE/SIZE	WEIGHT	KEY	A*	B	C	D	E	G	H	J	L	M	N	T	W
312.20 6"	2.42 lbs.	mm	160	116	49.5	161	15.5	81	50	5.8	3	196	178	1/2"	22
		in	6.00	4.57	1.95	6.34	0.61	3.19	1.97	0.23	0.12	7.72	7.00		.86

NOTE: For 1/4" NPT connections, B dimension changes to 80mm / 3.15 in. (4") or 111mm / 4.37 in (6").
For ranges <60PSI or >1,500 PSI, C dimension changes to 65.5 mm / 2.58"

Recommended panel cut-out: D + 1.5mm

**THE MEASURE OF
Total Performance™**

Ordering Information:

State computer part number (if available) / type number / size / range / connection size and location / options required.

Specifications given in this price list represent the state of engineering at the time of printing. Modifications may take place and the specified materials may change without prior notice

www.wika.ws  (800) 576 -6308
Distributed By  Inc,